

Document Title	HSD090ICW1-A00-299 Final Spec.	Page No.	1/24
Document No.	DC140-000395	Revision	2.0

TO :

Date : Jan. 16,2008

HannStar Product Specification **(Final Specification)**

9" Color TFT-LCD Module

Model : HSD090ICW1

-A00-0299

Note:1. Please contact HannStar Display Corp. before designing your product based on this module specification.

2. The information contained herein is presented merely to indicate the characteristics and performance of our products. No responsibility is assumed by HannStar for any intellectual property claims or other problems that may result from application based on the module described herein.

3. The mark “ ** ” of Model means sub-model code.



Document Title	HSD090ICW1-A00-299 Final Spec.	Page No.	2/24
Document No.	DC140-000395	Revision	2.0

Record of Revisions

Rev.	Date	Sub-Model	Description of change
2.0	Jan.16.2008		Tentative Product specification was first issued.



Document Title	HSD090ICW1-A00-299 Final Spec.	Page No.	3/24
Document No.	DC140-000395	Revision	2.0

Contents

1.0	GENERAL DESCRIPTION	4
2.0	ABSOLUTE MAXIMUM RATINGS	5
3.0	OPTICAL CHARACTERISTICS	6
4.0	Pixel Format	10
5.0	INTERFACE PIN CONNECTION	11
6.0	ELECTRICAL CHARACTERISTICS.....	12
7.0	OUTLINE DIMENSION.....	17
8.0	Reliability test items.....	18
9.0	LOT MARK	19
10.0	PACKAGE SPECIFICATION	20
11.0	GENERAL PRECAUTION	22

Document Title	HSD090ICW1-A00-299 Final Spec.	Page No.	4/24
Document No.	DC140-000395	Revision	2.0

1.0 GENERAL DESCRIPTION

1.1 Introduction

HannStar Display model HSD090ICW1 is a color active matrix thin film transistor (TFT) liquid crystal display (LCD) that uses amorphous silicon TFT as a switching device. This model is composed of a TFT LCD panel, a driving circuit and a back light system. This TFT LCD has a 9.0 (16:9) inch diagonally measured active display area with 1920 x 234 dot (640 horizontal by 234 vertical pixel) resolution.

1.2 Features

- 9 (16:9 diagonal) inch configuration
- Portable DVD Player / TV
- ROHS design

1.3 General information

Item	Specification	Unit
Outline Dimension	206.6(H) x 122(V)	mm
Display area	197.76(H) x 111.735(V)	mm
Number of Pixel	640 RGB(H) x 234(V)	pixels
Pixel pitch	0.309(H) x 0.4775(V)s	mm
Pixel arrangement	RGB Vertical stripe	
Display mode	Normally white	

Document Title	HSD090ICW1-A00-299 Final Spec.	Page No.	5/24
Document No.	DC140-000395	Revision	2.0

2.0 ABSOLUTE MAXIMUM RATINGS

2.1 Electrical Absolute Rating

2.1.1 TFT LCD Module

Item	Symbol	Min.	Max.	Unit	Note
Power supply voltage	DV_{DD}	-0.3	6	V	GND=0
	V_{GH}	-0.3	40	V	GND=0
	V_{GL}	-20	0.3	V	GND=0
	$V_{GH} - V_{GL}$	-0.3	40	V	
	AV_{DD}	-0.3	7.0	V	AGND=0
	V_{COM}	-1.6	5.2	V	
Analog Signal Input Level	V_R, V_G, V_B	-0.2	$AV_{DD}+0.2$	V	
Logic Signal Input Level	V_I	-0.3	$DV_{DD} +0.3$	V	

Note (1) Permanent damage may occur to the LCD module if beyond this specification.
Functional operation should be restricted to the conditions described under normal operating conditions.

(2) $T_a = 25 \pm 2^\circ\text{C}$

2.2 Environment Absolute Rating

Item	Symbol	Min.	Max.	Unit	Note
Operating Temperature	T_{opa}	-20	70	$^\circ\text{C}$	
Storage Temperature	T_{stg}	-30	80	$^\circ\text{C}$	

Document Title	HSD090ICW1-A00-299 Final Spec.	Page No.	6/24
Document No.	DC140-000395	Revision	2.0

3.0 OPTICAL CHARACTERISTICS

3.1 Optical specification

Item	Symbol	Condition	Min.	Typ.	Max.	Unit	Note
Threshold voltage	Vsat	—	—	2.6	—	V	(5)
	Vth	—	—	1.4	—	V	
Transmittance (With SWV PZ)	T	—	—	9.04	—	%	
Contrast Ratio	CR	$\theta=0$ Normal viewing angle	—	500	—	—	(1)(2)
Response time	T_R+T_F		—	25	—	msec	(1)(3)
Color gamut	S			45		%	(C-light)
Color chromaticity (CIE1931)	White	Wx		0.301	0.316	0.331	(1)(4) CF glass (C-light)
		Wy		0.333	0.348	0.363	
	Red	Rx		0.592	0.607	0.622	
		Ry		0.331	0.346	0.361	
	Green	Gx		0.311	0.326	0.341	
		Gy		0.520	0.535	0.550	
Blue	Bx		0.127	0.142	0.157		
	By		0.151	0.166	0.181		
Viewing angle	Hor.	θ_L	CR>10	—	70	—	
		θ_R		—	70	—	
	Ver.	θ_U		—	65	—	
		θ_D		—	65	—	
Optima View Direction	6 O'clock						(6)

■ Measuring Condition

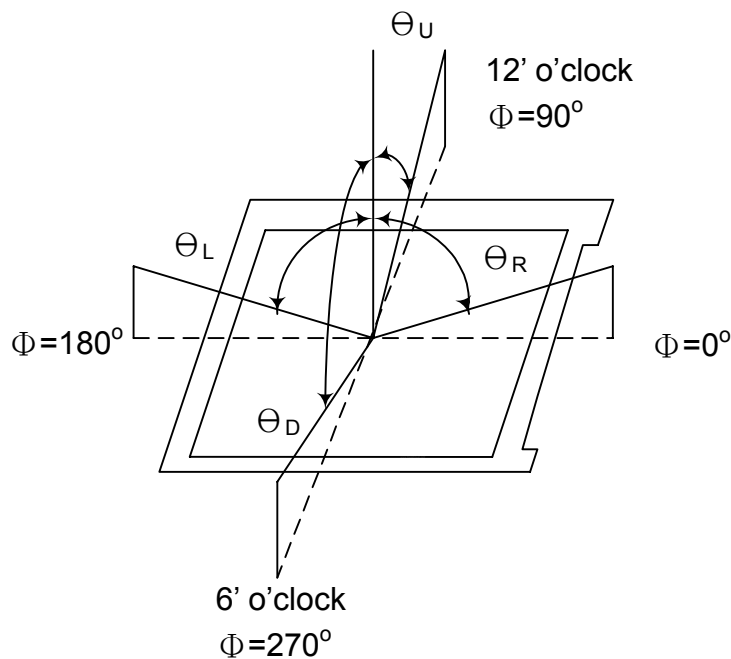
- Measuring surrounding : dark room
- Ambient temperature : 25±2°C
- 30min. warm-up time.

Document Title	HSD090ICW1-A00-299 Final Spec.	Page No.	7/24
Document No.	DC140-000395	Revision	2.0

3.2 Measuring Equipment

- Otsuka Electric Corp., which utilized MCPD-3000 for Chromaticity and BM-5 for other optical characteristics.
- Measuring spot size : 10 ~ 12 mm

Note (1) Definition of Viewing Angle :

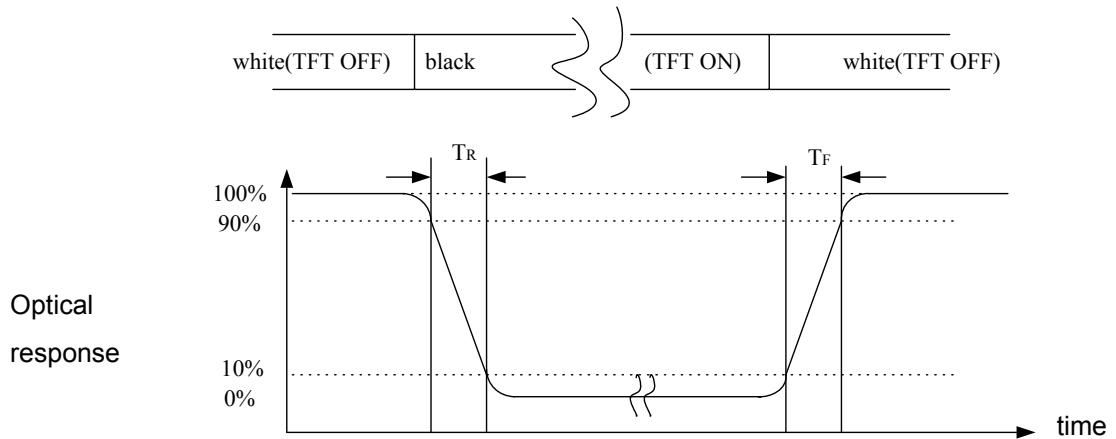


Note (2) Definition of Contrast Ratio(CR) :
measured at the center point of panel

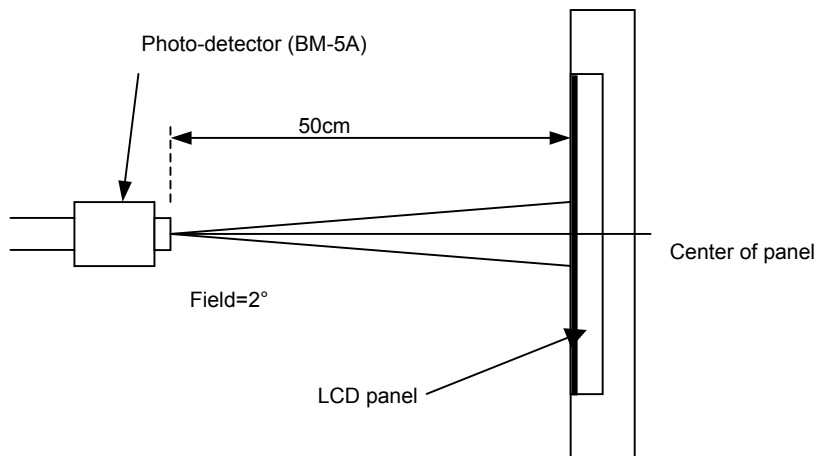
$$CR = \frac{\text{Luminance with all pixels white}}{\text{Luminance with all pixels black}}$$

Document Title	HSD090ICW1-A00-299 Final Spec.	Page No.	8/24
Document No.	DC140-000395	Revision	2.0

Note (3) Definition of Response Time : Sum of T_R and T_F

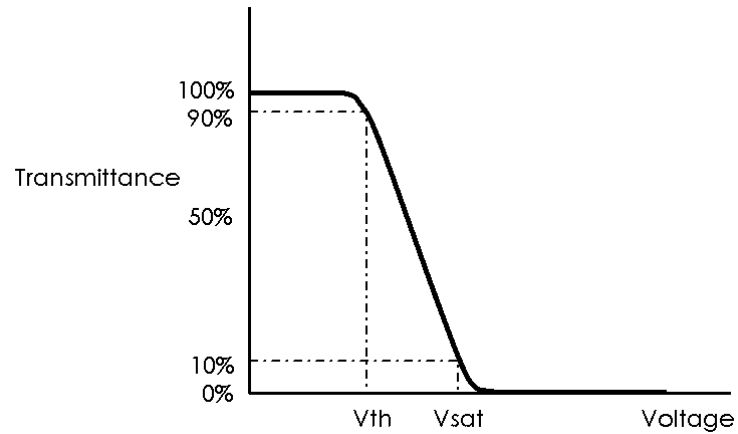


Note (4) Definition of optical measurement setup



Document Title	HSD090ICW1-A00-299 Final Spec.	Page No.	9/24
Document No.	DC140-000395	Revision	2.0

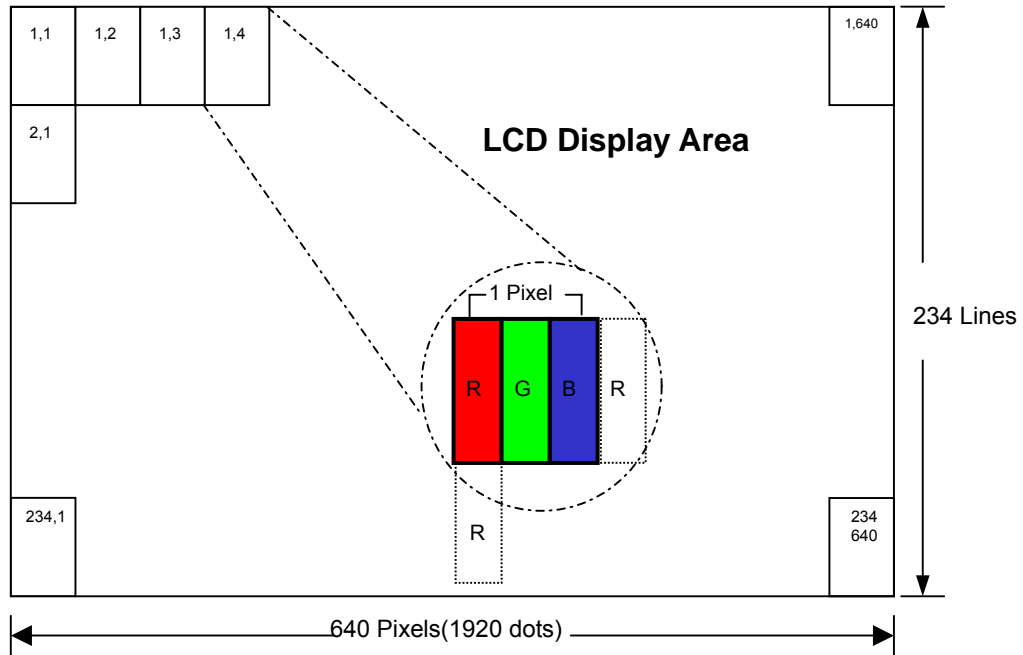
Note (5) Definition of V_{th} and V_{sat} (at 20°C)



Note (6) Rubbing Direction (The different Rubbing Direction will cause the different optima view direction).

Document Title	HSD090ICW1-A00-299 Final Spec.	Page No.	10/24
Document No.	DC140-000395	Revision	2.0

4.0 Pixel Format



Document Title	HSD090ICW1-A00-299 Final Spec.	Page No.	11/24
Document No.	DC140-000395	Revision	2.0

5.0 INTERFACE PIN CONNECTION

5.1 TFT LCD Module

Pin No.	Signal	Description
1	GND	GND for Logic Circuit
2	VCC	Logic Power for Gate Driver
3	VGL	Negative Power for Gate Driver
4	VGH	Positive Power for Gate Driver
5	STVR	Vertical Start Pulse
6	STVL	Vertical Start Pulse
7	CKV	Shift CLK Input for Gate Driver
8	U/D	UP/Down Scan Setting
9	OEV	Output Enable Input for Gate Driver
10	VCOM	Common Electrode Driving Signal
11	VCOM	Common Electrode Driving Signal
12	L/R	Left/Right Shift Setting
13	MOD	Sequential or Simultaneous Sampling Setting
14	OEH	Output Enable Input for Source Driver
15	STHL	Horizontal Start Pulse
16	STHR	Horizontal Start Pulse
17	CPH3	Sampling and Shifting CLK Pulse
18	CPH2	Sampling and Shifting CLK Pulse
19	CPH1	Sampling and Shifting CLK Pulse
20	VCC	Logic Power for Source Driver
21	GND	GND for Logic Circuit
22	VR	Alternated Video Input, R
23	VG	Alternated Video Input, G
24	VB	Alternated Video Input, B
25	AVDD	Supply Voltage for Analog Circuit
26	AVSS	GND for Analog Circuit

Document Title	HSD090ICW1-A00-299 Final Spec.	Page No.	12/24
Document No.	DC140-000395	Revision	2.0

6.0 ELECTRICAL CHARACTERISTICS

6.1 TFT LCD Module

Item	Symbol	Min.	Typ.	Max.	Unit	Note
Supply Voltage	DV_{DD}	-	3.3	-	V	
	V_{GH}	-	15	-	V	
	V_{GL}	-	-10	-	V	
	AV_{DD}	3	5	5.5	V	
Video signal amplitude (VR, VG, VB)	V_{iA}	0.4	-	$AV_{DD}-0.4$	V	
	V_{iAC}	-	3	-	V	AC component,
	V_{iDC}	-	$AV_{DD}/2$	-	V	DC component
VCOM	V_{CAC}	-	4.7	-	VP-P	AC component
	V_{CDC}	1.6	1.8	2.0	V	DC component, (1)
Input signal voltage	V_{iH}	$0.8DV_{DD}$	-	DV_{DD}	V	(2)
	V_{iL}	0	-	$0.2 DV_{DD}$	V	(2)
Current of power supply	I_{DD}	-	150	-	μA	$DV_{DD}=3.3V$ (預估值)
	I_{ADD}	-	9.0	-	mA	$AV_{DD}=5V$ (預估值)
	I_{GH}	-	70	-	μA	$V_{GH}=15V$ (預估值)
	I_{GL}	-	65	-	μA	$V_{GL}=-10V$ (預估值)

Note (1): The brightness of LCD panel could be changed by adjusting the AC component of V_{COM} .

Note (2): STHL, STHR, OEH, L/R, CPH1~CPH3, STVD, STVU, OEV, CKV, U/D

Note (3): Be sure to apply the power voltage as the power sequence spec.

Note (4): $DGND=AGND=0V$,

Document Title	HSD090ICW1-A00-299 Final Spec.	Page No.	13/24
Document No.	DC140-000395	Revision	2.0

6.2 AC Characteristics

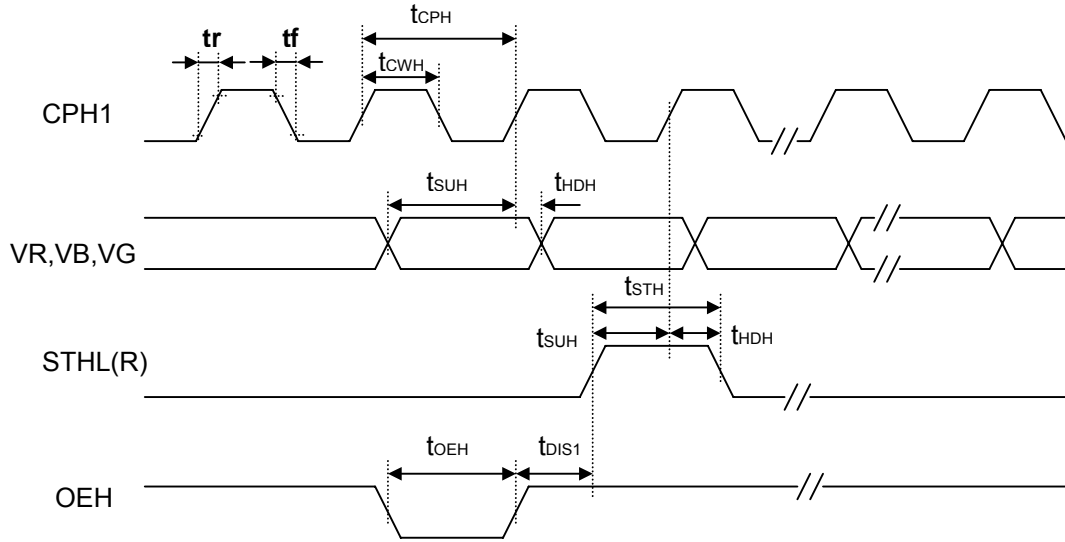
Item	Symbol	Min.	Typ.	Max.	Unit	Note
Rising time	t_r	-	-	10	ns	(1)
Falling time	t_f	-	-	10	ns	(1)
High and low level pulse duty	t_{CPH}	100	103	-	ns	CPH1~CPH3
CPH pulse duty	t_{CWH}	40	50	60		CPH1~CPH3
STH setup time	t_{SUH}	20	-	-	ns	STHR,STHL
STH hold time	t_{HDH}	20	-	-	ns	STHR,STHL
STH pulse width	t_{STH}	-	1	-	t_{CPH}	STHR,STHL
STH period	t_H	61.5	63.5	65.5	μs	STHR,STHL
OEH pulse width	t_{OEH}	-	1.23	-	μs	OEH
Sample and hold disable time	t_{DIS1}	-	8.19	-	μs	
OEV pulse width	t_{OEV}	-	4.77	-	μs	OEV
CKV pulse width	t_{CKV}	-	3.91	-	μs	CKV
Clean enable time	t_{DIS2}	-	3.90	-	μs	
Horizontal display timing range	t_{DH}	-	1920	-	$t_{CPH}/3$	
STV setup time	t_{SUV}	200	-	-	ns	STVD,STVU
STV hold time	t_{HDV}	300	-	-	ns	STVD,STVU
STV pulse width	t_{STV}	-	1	-	t_H	STVD,STVU
Horizontal line per field	t_V	256	262	268	t_H	(2)
Vertical display start	t_{SV}		3	-	t_H	
Vertical display timing range	t_{DV}		234	-	t_H	
VCOM Rising time	t_{rCOM}		-	5	μs	
VCOM Falling time	t_{fCOM}		-	5	μs	
VCOM delay time	t_{dCOM}		-	3	μs	
RGB delay time	t_{dRGB}		*	1	μs	

Note (1): For all of the logic signals.

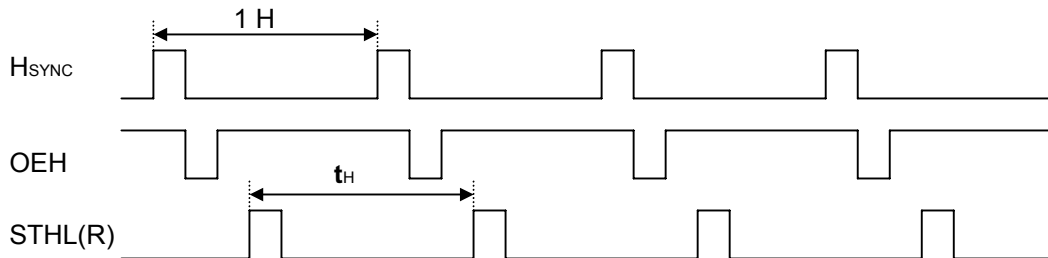
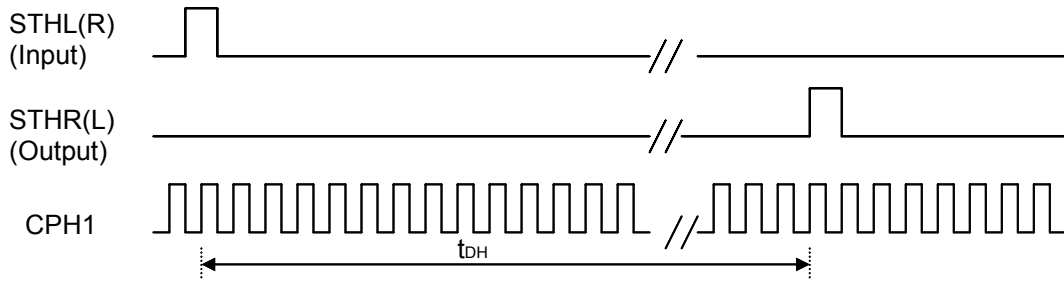
Note (2): Please don't use odd horizontal lines to drive LCD panel for both odd and even filed simultaneously.

Document Title	HSD090ICW1-A00-299 Final Spec.	Page No.	14/24
Document No.	DC140-000395	Revision	2.0

6.3 Timing Diagram of Interface Signal

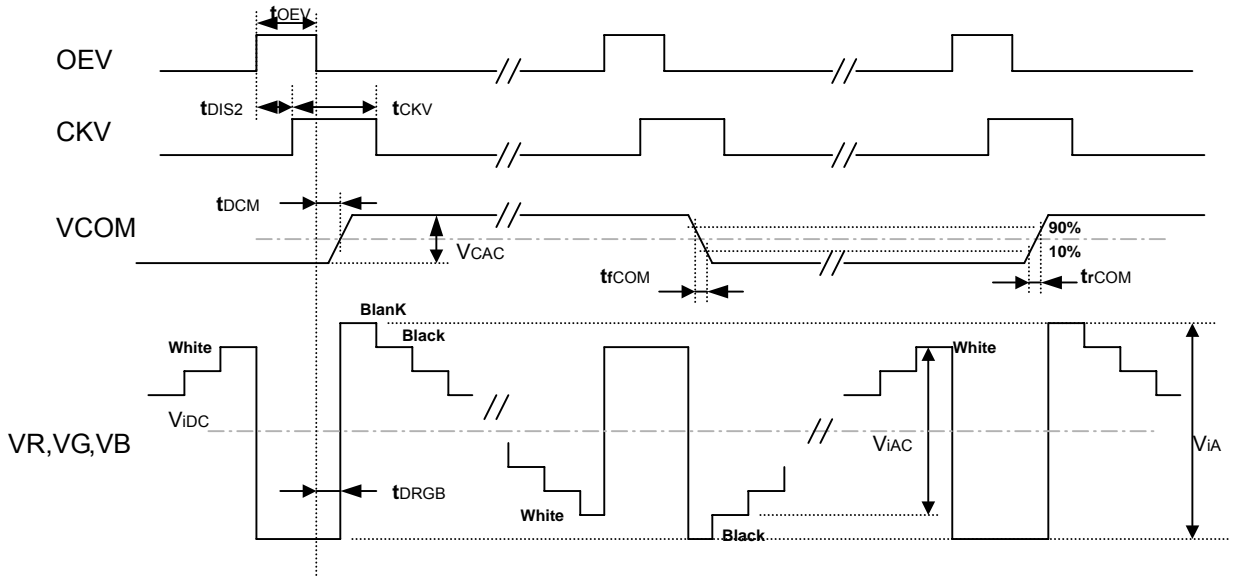


Sampling clock timing

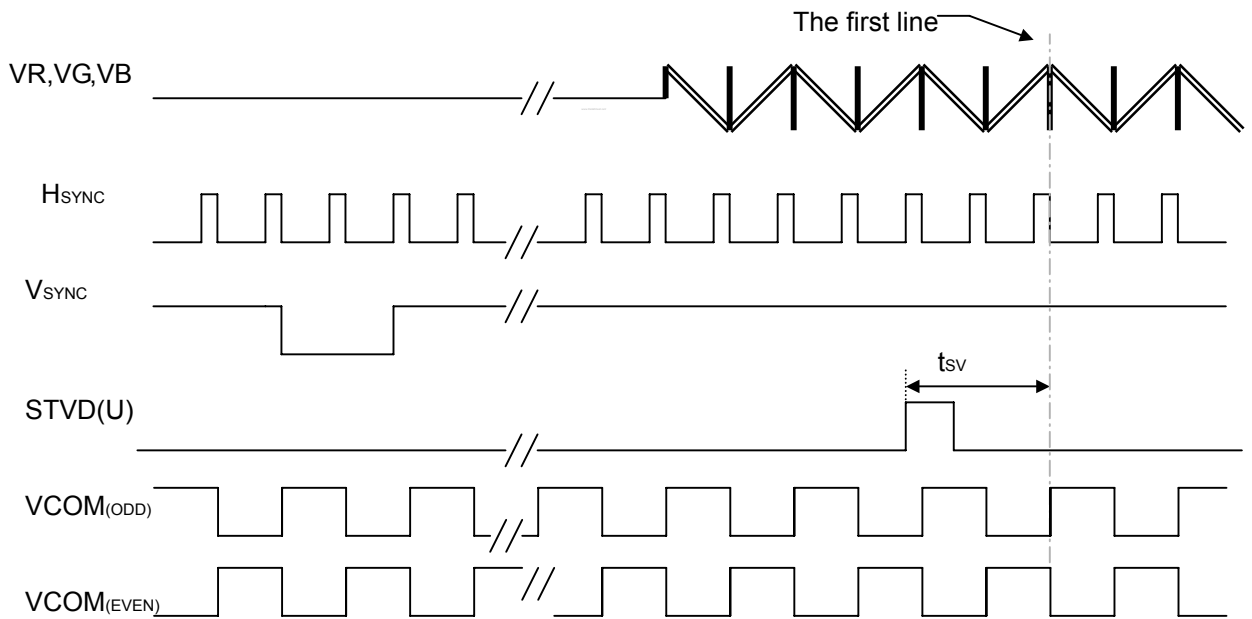


Horizontal display timing range

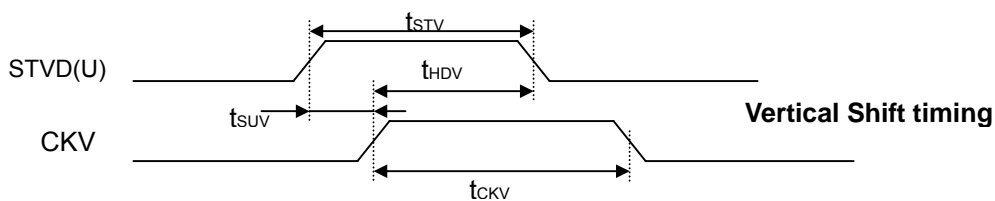
Document Title	HSD090ICW1-A00-299 Final Spec.	Page No.	15/24
Document No.	DC140-000395	Revision	2.0



Detail Horizontal timing



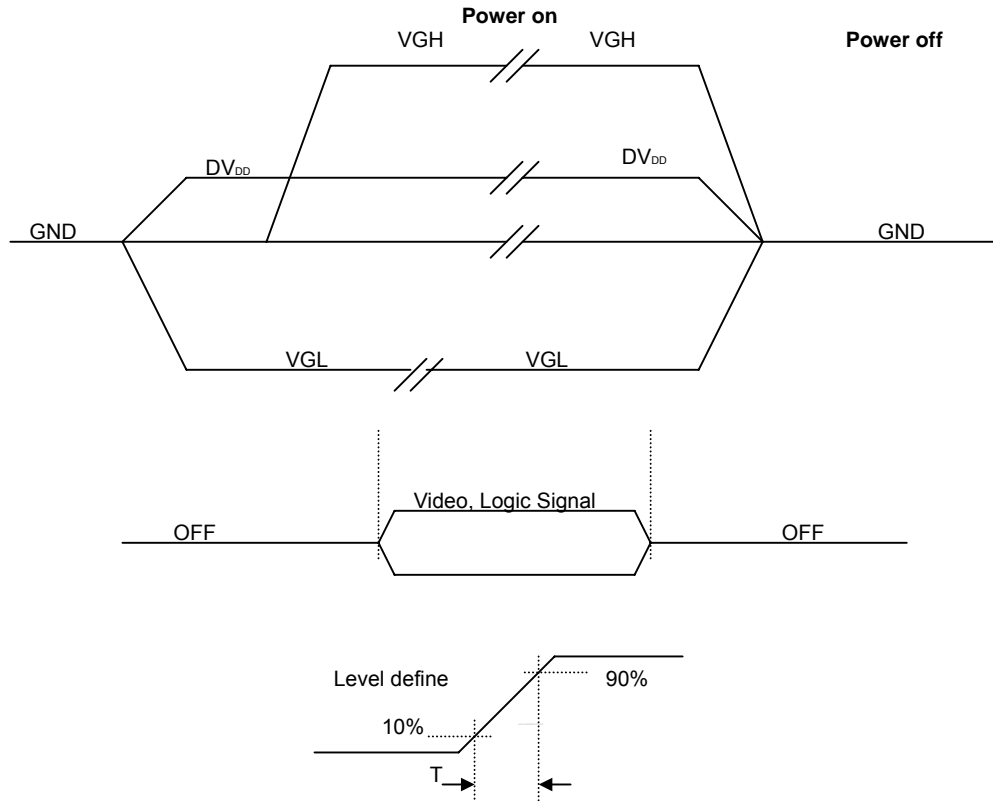
Vertical timing



Vertical Shift timing

Document Title	HSD090ICW1-A00-299 Final Spec.	Page No.	16/24
Document No.	DC140-000395	Revision	2.0

6.4 Power Sequence

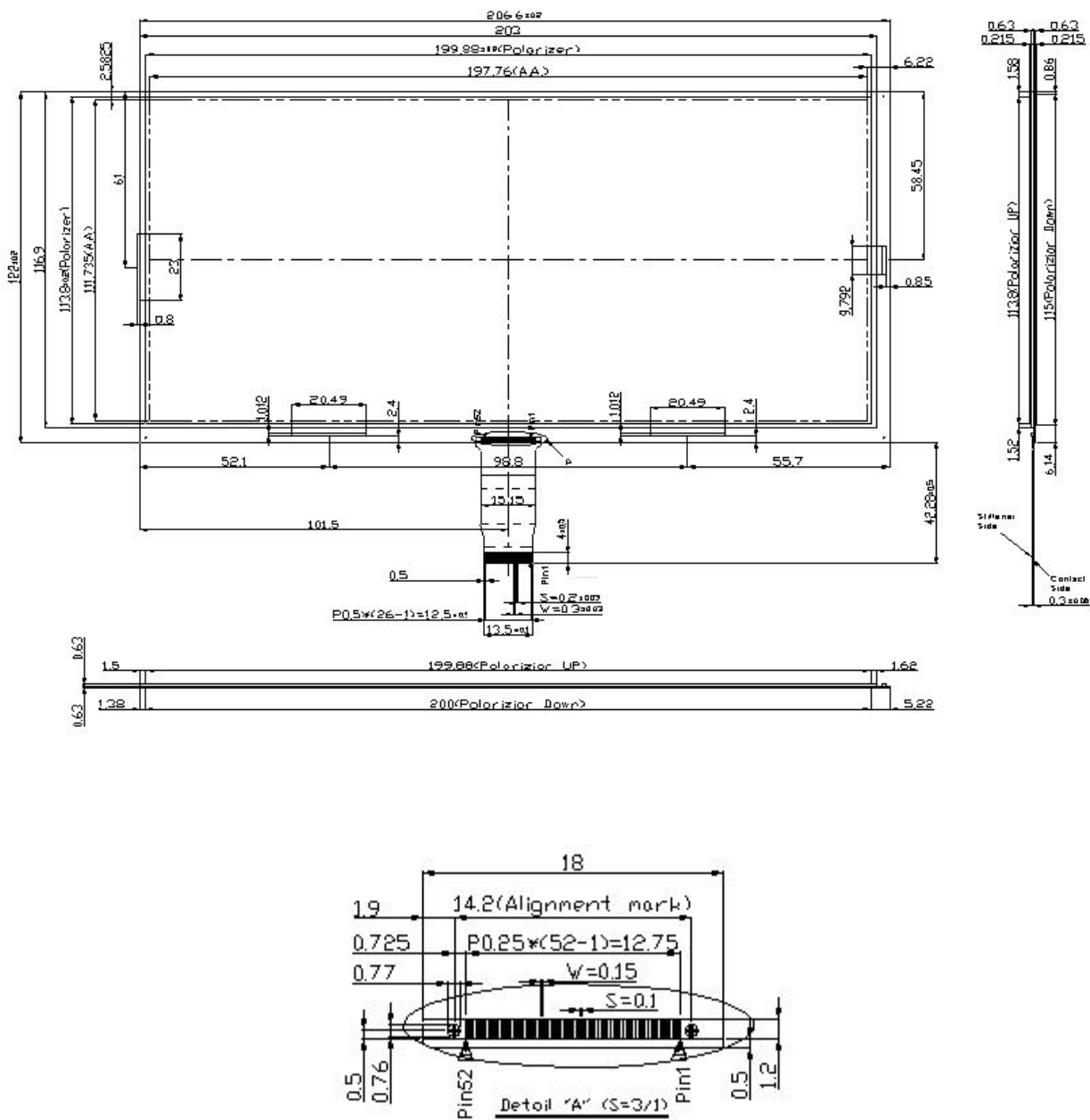


Power Sequence: DV_{DD} -> VGL -> VGH

Note Apply the lamp voltage within the LCD operation range. When the back-light turns on before the LCD operation or the LCD turns off before the back-light turns off. the display may momentarily become white.

Document Title	HSD090ICW1-A00-299 Final Spec.	Page No.	17/24
Document No.	DC140-000395	Revision	2.0

7.0 OUTLINE DIMENSION



Document Title	HSD090ICW1-A00-299 Final Spec.	Page No.	18/24
Document No.	DC140-000395	Revision	2.0

8.0 Reliability test items

No.	Item	Conditions	Remark
1	High Temperature Storage	Ta=+80°C, 240hrs	
2	Low Temperature Storage	Ta=-30°C, 240hrs	
3	High Temperature Operation	Ta=+70°C, 240hrs	
4	Low Temperature Operation	Ta=-20°C, 240hrs	
5	High Temperature and High Humidity (Operating)	Ta=+60°C, 90%RH, 240hrs	
6	Thermal Cycling Test (non operation)	-30°C(0.5hr) → +80°C(0.5hr), 200cycles	
7	Packing	<ol style="list-style-type: none"> 1. Sine, 1.5G, 5~200Hz, 1hr X,Y,Z direction 2. Random, 1.5Grms, 5~200Hz, 15min/ X,Y,Z direction 3. Half-Sine, 70G, 11ms+ X axis, 2 Times 4. Half-Sine, 200G, 2ms+ X axis, 2 Times 5. 90 degree topple to dash against the hard- face of table. 	
8	Altitude Test (non operation)	50000ft, 24hr (25°C)	
9	Altitude Test (operation)	10000ft, 02hr (25°C)	
10	Pressure cooker Test	121°C, 100%R.H., 2atm, 16hr/20hr	
11	Electrostatic Discharge	± 200V, 200pF,0□	

Note: All tests above are practiced at module type.

There is no display function NG issue occurred, all the cosmetic specification is judged before the reliability stress.

Document Title	HSD090ICW1-A00-299 Final Spec.	Page No.	19/24
Document No.	DC140-000395	Revision	2.0

9.0 LOT MARK

9.1 Lot Mark

1	2	3	4	5	6	7	8	9	10	11	12	13	14	15
---	---	---	---	---	---	---	---	---	----	----	----	----	----	----

code 1~6: HannStar internal flow control code.

code 7: production location.

code 8: production year.

code 9: production month.

code 10~15: serial number.

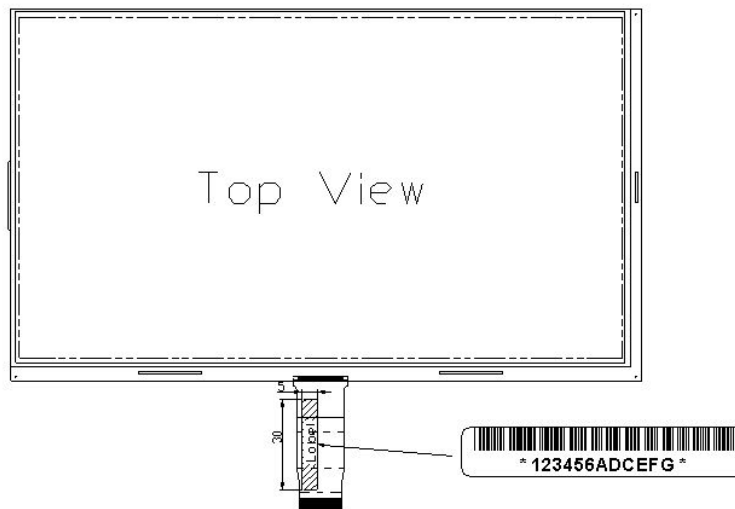
Note (1) Production Year

Year	2003	2004	2005	2006	2007	2008	2009	2010	2011	2012
Mark	3	4	5	6	7	8	9	A	B	C

Note (2) Production Month

Month	Jan.	Feb.	Mar.	Apr.	May.	Jun.	Jul.	Aug.	Sep.	Oct	Nov.	Dec.
Mark	1	2	3	4	5	6	7	8	9	A	B	C

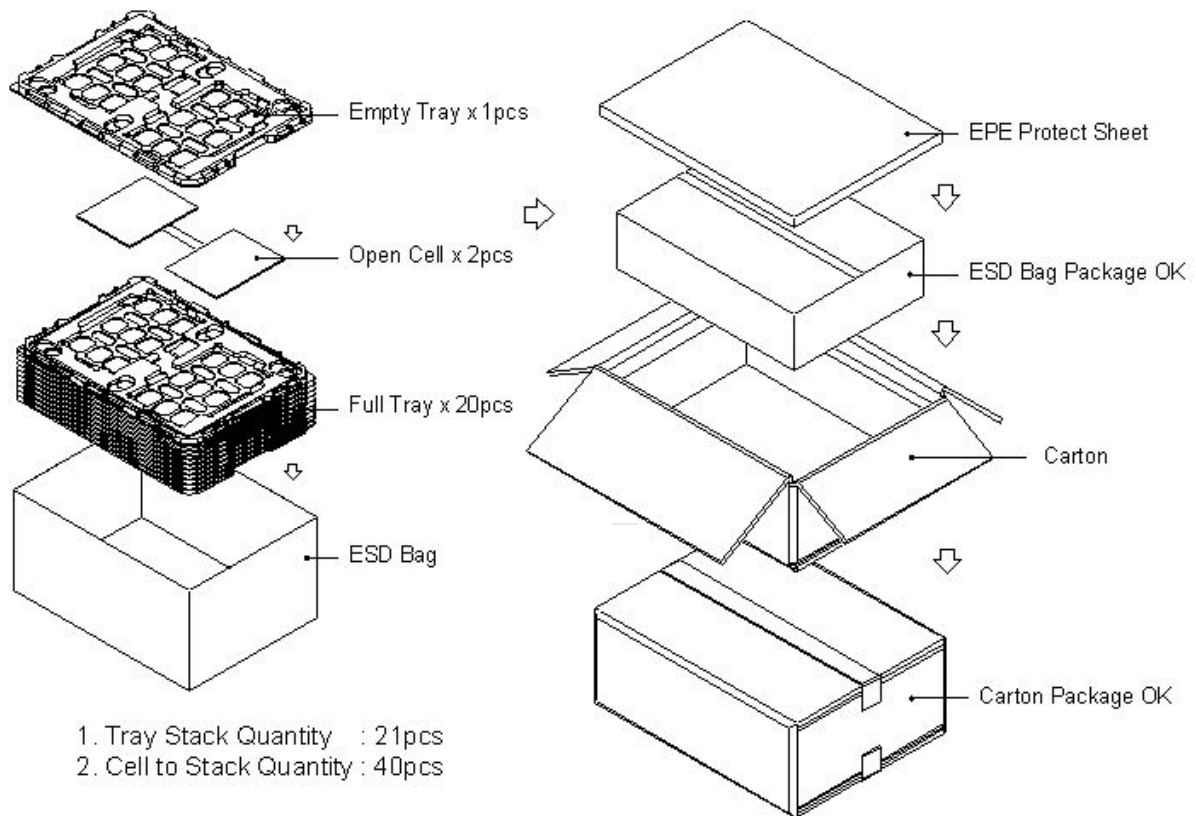
9.2 Location of Lot Mark



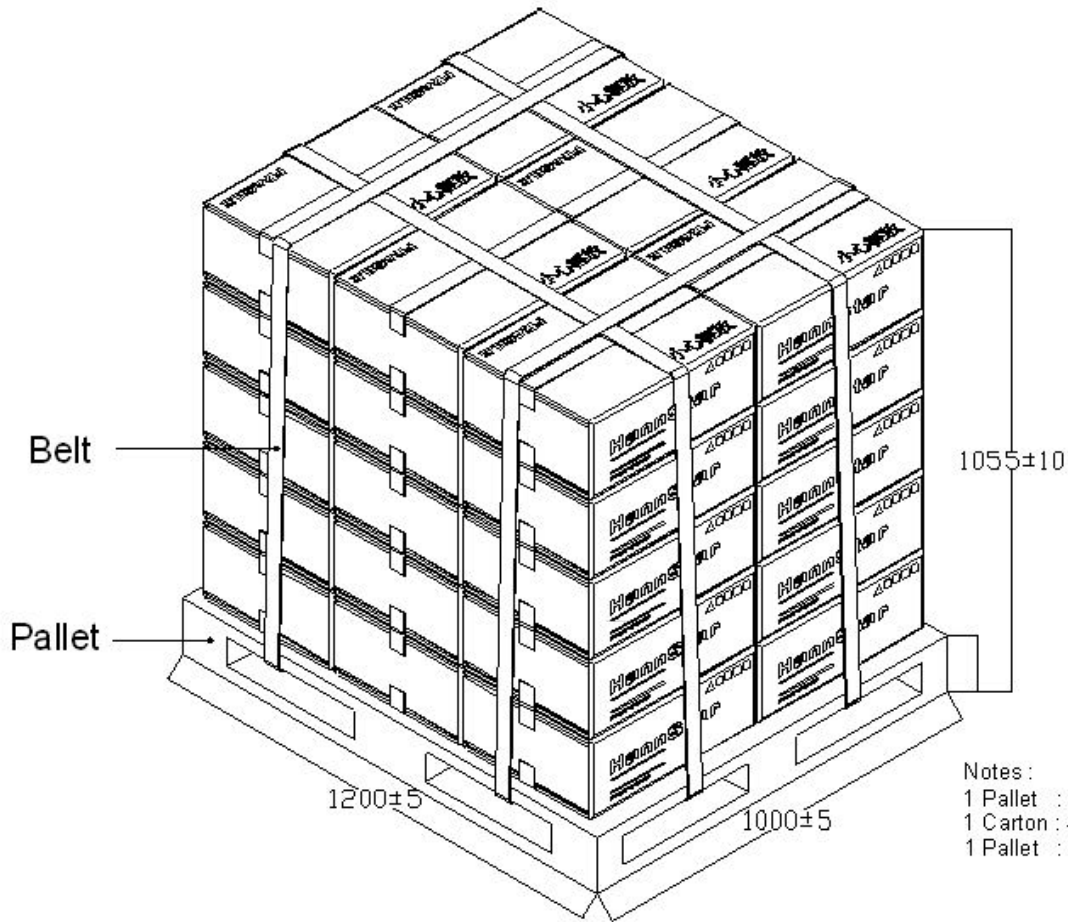
Document Title	HSD090ICW1-A00-299 Final Spec.	Page No.	20/24
Document No.	DC140-000395	Revision	2.0

10.0 PACKAGE SPECIFICATION

9.0 inch Open Cell Package



Document Title	HSD090ICW1-A00-299 Final Spec.	Page No.	21/24
Document No.	DC140-000395	Revision	2.0



Document Title	HSD090ICW1-A00-299 Final Spec.	Page No.	22/24
Document No.	DC140-000395	Revision	2.0

11.0 GENERAL PRECAUTION

11.1 Use Restriction

This product is not authorized for use in life supporting systems, aircraft navigation control systems, military systems and any other application where performance failure could be life-threatening or otherwise catastrophic.

11.2 ASSEMBLY PRECAUTION

- 10.2.1 Please use the mounting hole on the module side in installing and do not bending or wrenching LCD in assembling. And please do not drop, bend or twist LCD module in handling.
- 10.2.2 Please design display housing in accordance with the following guide lines.
 - 10.2.2.1 Housing case must be destined carefully so as not to put stresses on LCD all sides and not to wrench module. The stresses may cause on-uniformity even if there is no non-uniformity statically.
 - 10.2.2.2 Keep sufficient clearance between LCD module back surface and housing when the LCD module is mounted. The clearance in the design is recommended taking into account the tolerance of LCD module thickness and mounting structure height on the housing.
- 10.2.3 Please do not push or scratch LCD panel surface with any-thing hard. And do not soil LCD panel surface by touching with bare hands. (Polarizer film, surface of LCD panel is easy to be flawed.)
- 10.2.4 Please do not press any parts on the rear side such as source IC, gate IC, and FPC during handling LCD module. If pressing rear part is unavoidable, handle the LCD module with care not to damage them.
- 10.2.5 Please wipe out LCD panel surface with absorbent cotton or soft cloth in case of it being soiled.
- 10.2.6 Please wipe out drops of adhesives like saliva and water on LCD panel surface immediately. They might damage to cause panel surface variation and color change.
- 10.2.7 Please do not take a LCD module to pieces and reconstruct it. Resolving and reconstructing modules may cause them not to work well.

11.3 Disassembling or Modification

Do not disassemble or modify the module. It may damage sensitive parts inside LCD module, and may cause scratches or dust on the display. HannStar does not warrant the module, if customers disassemble or modify the module.

Document Title	HSD090ICW1-A00-299 Final Spec.	Page No.	23/24
Document No.	DC140-000395	Revision	2.0

11.4 Breakage of LCD Panel

- 10.4.1 If LCD panel is broken and liquid crystal spills out, do not ingest or inhale liquid crystal, and do not contact liquid crystal with skin.
- 10.4.2 If liquid crystal contacts mouth or eyes, rinse out with water immediately.
- 10.4.3 If liquid crystal contacts skin or cloths, wash it off immediately with alcohol and rinse thoroughly with water.
- 10.4.4 Handle carefully with chips of glass that may cause injury, when the glass is broken.

11.5 Absolute Maximum Ratings and Power Protection Circuit

- 10.5.1 Do not exceed the absolute maximum rating values, such as the supply voltage variation, input voltage variation, variation in parts' parameters, environmental temperature, etc., otherwise LCD module may be damaged.
- 10.5.2 Please do not leave LCD module in the environment of high humidity and high temperature for a long time.
- 10.5.3 It's recommended employing protection circuit for power supply.

11.6 Operation

- 10.6.1 Do not touch, push or rub the polarizer with anything harder than HB pencil lead. Use fingerstalls of soft gloves in order to keep clean display quality, when persons handle the LCD module for incoming inspection or assembly.
- 10.6.2 When the surface is dusty, please wipe gently with absorbent cotton or other soft material.
- 10.6.3 Wipe off saliva or water drops as soon as possible. If saliva or water drops contact with polarizer for a long time, they may causes deformation or color fading.
- 10.6.4 When cleaning the adhesives, please use absorbent cotton wetted with a little petroleum benzine or other adequate solvent.

11.7 Static Electricity

- 10.6.3 Protection film must remove very slowly from the surface of LCD module to prevent from electrostatic occurrence.
- 10.7.2 Because LCD module uses CMOS-IC on TFT-LCD panel, it is very weak to electrostatic discharge. Please be careful with electrostatic discharge.
- 10.7.3 Persons who handle the module should be grounded through adequate methods.

11.8 Disposal

When disposing LCD module, obey the local environmental regulations(temperature 23 ± 5 humidity $60\pm 10\%$)

Document Title	HSD090ICW1-A00-299 Final Spec.	Page No.	24/24
Document No.	DC140-000395	Revision	2.0

11.9 OTHERS

10.9.1 A strong incident light into LCD panel might cause display characteristics' changing inferior because of Polarizer film, color filter, and other materials becoming inferior. Please do not expose LCD module direct sunlight and strong UV rays.

10.9.2 Please pay attention to a panel side of LCD module not to contact with other materials in preserving it alone.

10.9.3 For the packaging box, please pay attention to the followings:

10.9.3.1 Packaging box and inner case for LCD are designed to protect the LCDs from the damage or scratching during transportation. Please do not open except picking LCDs up from the box.

10.9.3.2 Please do not pile them up more than 6 boxes. (They are not designed so.) And please do not turn over.

10.9.3.3 Please handle packaging box with care not to give them sudden shock and vibrations. And also please do not throw them up.

10.9.3.4 Packing box and inner case for LCDs are made of cardboard. So please pay attention not to get them wet. (Such like keeping them in high humidity or wet place can occur getting them wet.)